

**Product selected: SHP-TS 600W Grolux**

Range of high-pressure sodium super lamps optimizing the red/blue output of the light spectrum essential for plant growth.

**Applications**

- Suitable for a plethora of applications related to plant growth

**Features**

- Patented arc tube delivers highest photosynthetic efficiency
- Performance maintained at an exceptional level due to improved structure of the outer bulb
- Optimized for high Phytolumen or PAR output

**Directions for use**

- Burning position: horizontal
- Can be operated on ignitors in accordance with IEC 60927
- Open fixture rated

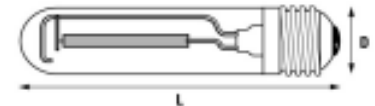
**Product Attributes**

Item description	SHP-TS 600W Grolux
Nominal wattage (W)	615
Rated wattage at 50 Hz (W)	601.5
Nominal Voltage (V)	125
Nominal Current (A)	5.5
Cap	E40
Maximum Lamp length L [mm]	292
Diameter D [mm]	48
Bulb finish / Light colour	Clear
Rated luminous flux at 25°C (lm)	89807
Rated lamp efficacy (lm/W) at 100 h - 50 Hz	150
Rated lumen maint. Factor at 2000 h	0.98
Rated lumen maint. Factor at 4000 h	0.96
Rated lumen maint. Factor at 6000 h	0.94
Rated lumen maint. Factor at 8000 h	0.93
Rated lumen maint. Factor at 12000 h	0.91
Rated lumen maint. Factor at 16000 h	0.90
Rated lumen maint. Factor at 20000 h	0.89
Nominal average life (h)	24000
Rated survival factor at 2000 h	1.00
Rated survival factor at 4000 h	0.99
Rated survival factor at 6000 h	0.98
Rated survival factor at 8000 h	0.97
Rated survival factor at 12000 h	0.90
Rated survival factor at 16000 h	0.79
Rated survival factor at 20000 h	0.66
Mercury content per lamp [mg]	32.4
Colour rendering Index - CRI (class / %)	4/20
Colour temperature (K)	2050
Ambient temperature for max. lumen flux (°C)	25
Packing Quantity	12
EAN Code	5410288208084
Ordering Code	0020808

**Product Image**



**Product line drawing (image)**

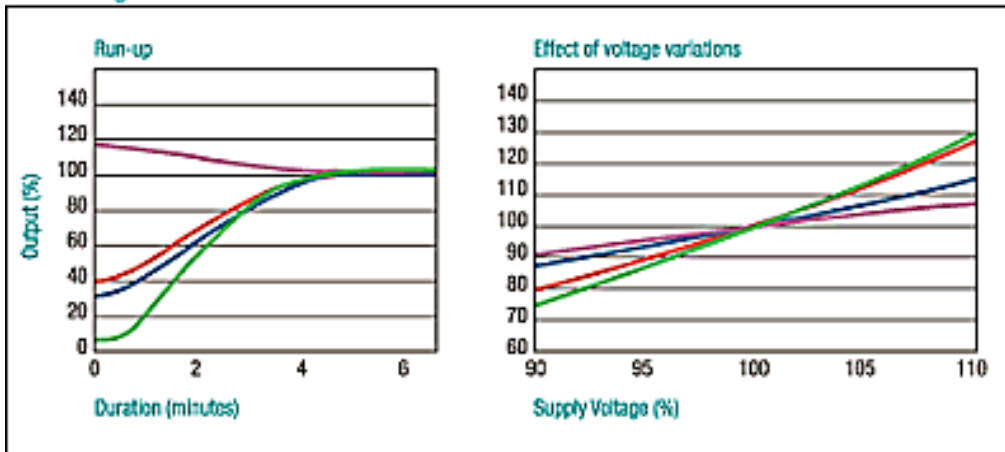


**Fixture rating**



Run up characteristics (image)

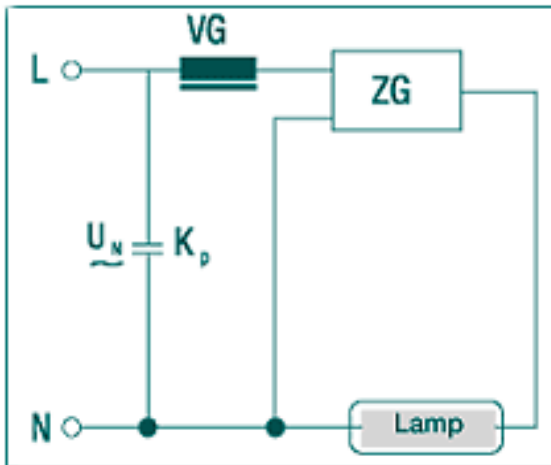
### High Pressure Sodium



Re-start time when hot  
 Twinarc, SBT: Immediate re-start  
 Standard, Super & MF: up to 1 minute

- Lamp Voltage
- Lamp Current
- Lamp Power
- Luminous Flux

Circuit diagram (image)



- L Live conductor L<sub>1</sub>, L<sub>2</sub>, L<sub>3</sub>
- N Neutral conductor
- U<sub>N</sub> power supply voltage 230V~  
(400V~ for HSI-T 2000V)
- VG ballast
- K<sub>P</sub> lead capacitor
- ZG start-up system
- K<sub>Z</sub> start-up capacitor
- ST stray field transformer
- CWA constant wattage autotransformer